

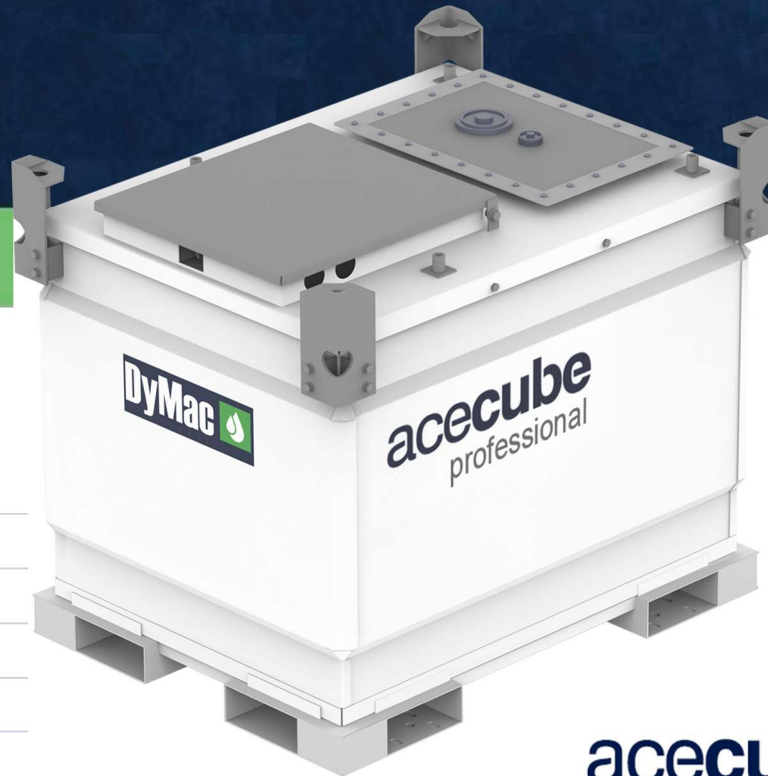


SPECIFICATION DATA SHEET

MODEL - ACP - 950L

APPROVALS & CERTIFICATIONS

- Built to UN31/AY standards
- Built to UL142 standards
- Lift when empty
- 110% Bunded
- Environmental protection tank



acecube
professional

DESIGN FEATURES

- ✓ Bi-directional forklift pockets, internal baffle, painted hatch lid, stacking corners, lifting points for inner tank removal and integrated base frame
- ✓ Designed to stack inside shipping containers and across truck beds providing economical transportation
- ✓ Unique hexagonal corners for extra strength
- ✓ 2 spill box side openings with grommets for secure and safe hose/cable connections
- ✓ Extra large pump compartment designed for easy mounting/storing of hose reels, pumps, gun nozzles, cables, batteries and bund alarms
- ✓ Large primary hatch access lid for multiple use and versatility
- ✓ Fittings located under primary hatch lid are- 3 inch fill, 1 inch feed with internal feed pipe, 2 inch pressure vacuum, 2 inch dipstick access, 1 1/2 inch level gauge
- ✓ Primary hatch has a secure lockable design
- ✓ Space efficient design easily stacked 3 high when empty and 2 high when full



SPECIFICATION DATA SHEET

MODEL - ACP - 950L

FITTINGS

Pump bay 3 inch (80mm) fusible fill cap, 2 inch (50mm) pressure vacuum, 1/4" breather vent, 1 inch (25mm) Feed with 1" T - Piece and 1 inch (25mm) internal pipe to bottom interior of the tank. 1 inch feed fitted with 1 inch valve for genset connection. 1 1/2" (38mm) port with dial type float level gauge and 2" (50mm) spare port.

EXTERNAL

5" (125mm) spare port & 2" (50mm) spare port located on top central of the tank

Capacity (Liters)	950	Outer Tank Thickness (mm)	3
Capacity (US Gallons)	251	Inner Tank Thickness (mm)	3
Length (mm/ft)	1500/4'9"	Weight, Tare (Kg/lb)	414/912
Width (mm/ft)	1150/3'8"	Weight, Laden (Kg/lb)	1226/2702
Height (mm/ft)	1320/4'3"	Safe Fuel Fill Levels (Liters)	903

*Calculations are based on safe fill levels at 95% total tank capacity & specific gravity of diesel as 0.9

COMPLETELY REMOVABLE INNER TANK

- Removable inner tank
- Enclosed tank connection bay
- Removable Stacking corner brackets
- 4 bosses for attachment of lifting eyes
- Pump mounting brackets

Standard

Removable Stacking
Corner Brackets



Fittings
Bay



Pump Mounting
Bracket



Optional

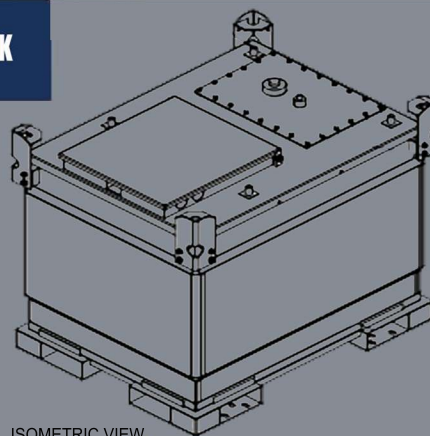
Retractable
Hose Reels



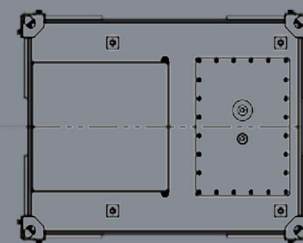
Dispensing
Nozzles



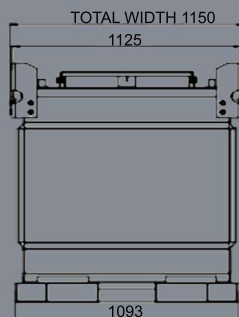
Electric
Pumps



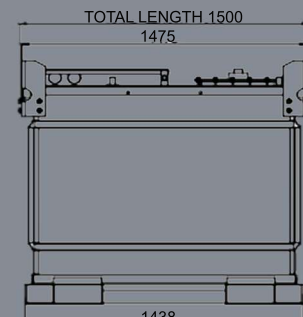
ISOMETRIC VIEW



PLAN VIEW



FRONT VIEW



ELEVATION VIEW