

ENGINE PREHEATER TANK STYLE

Simple to install and very lightweight, the HOTSTART TPS engine preheater features a built-in thermostat and heats engines up to 12L displacement. Thermosiphon circulation of the coolant delivers heat throughout the entire engine.

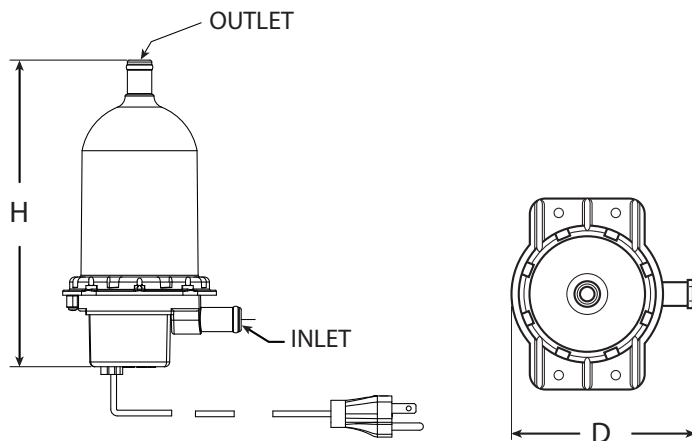


APPLICATION

The TPS engine preheater is designed to preheat diesel and gas engines in genset, heavy duty mobile equipment, marine and industrial applications.

SPECIFICATIONS

- Heating Fluid: Engine coolant (50% glycol/50% water)
- Power: 0.5, 1, 1.5, 1.8 and 2 kW*
- Rated Voltage: 1 Phase 120 and 240 VAC
- Tank Material: Polyphenylensulfid PPS
- Heating Element: Incoloy 800
- Enclosure: IP41
- Fluid Capacity: 0.11gl (416 cm³)
- Max Pressure: 90PSI (6.2 bar)
- Inlet /Outlet: 0.625" (15.9mm)



* 2kW available at 240V only

Dimensions & Weight

Height (H)	In (mm)	7.9	(200)
Depth (D)	In (mm)	4.6	(117)
Weight	lbs (g)	1.7	(771)

FEATURES

- UL-C/US listed
- CE compliant
- Various temperature settings available, including adjustable thermostat 90° - 130°F (32° - 54°C)
- Can be delivered with UL marked 120 or 240V NEMA plug or CE marked 240V Schuko plug



Thermosiphon Engine Heaters

TPS Model
Single Phase

500-2000 Watts



Temperature Range ON	Temperature Range OFF	Numerical Code
80°F (27C)	100°F (38C)	8
100°F (38C)	120°F (49C)	10
120°F (49C)	140°F (60C)	12

Engine Displacement	Watts	Model Number 120V	Amps	Model Number 240V	Amps	Model Number 277V	Amps
150cid 2.5L	500	TPS051GT8-000	4.2	TPS052GT8-000	2.1	TPS057GT10-000	1.8
		TPS051GT10-000	4.2	TPS052GT10-000	2.1		
		TPS051GT12-000	4.2	TPS052GT10-013	2.1		
		—	—	TPS052GT12-000	2.1		
		—	—	—	—		
350cid 5.7L	1000	TPS101GT8-000	8.4	TPS102GT8-000	4.2	TPS107GT10-000	3.6
		TPS101GT10-000	8.4	TPS102GT10-000	4.2		
		TPS101GT12-000	8.4	TPS102GT10-013	4.2		
		—	—	TPS102GT12-000	4.2		
350 - 500cid 5.7 - 8.2L	1500	TPS151GT8-000	12.5	TPS152GT8-000	6.3	TPS157GT10-000	5.4
		TPS151GT10-000	12.5	TPS152GT10-000	6.3		
		TPS151GT12-000	12.5	TPS152GT10-013	6.3		
		—	—	TPS152GT12-000	6.3		
500 - 700cid 8.2 - 11.5L	1800	TPS181GT8-000	15	—	—	—	—
	2000	—	—	TPS202GT8-000	8.3	TPS207GT10-000	7.2
—	—	—	TPS202GT10-000	8.3			
—	—	—	—	TPS202GT10-013	8.3		
—	—	—	—	TPS202GT12-000	8.3		

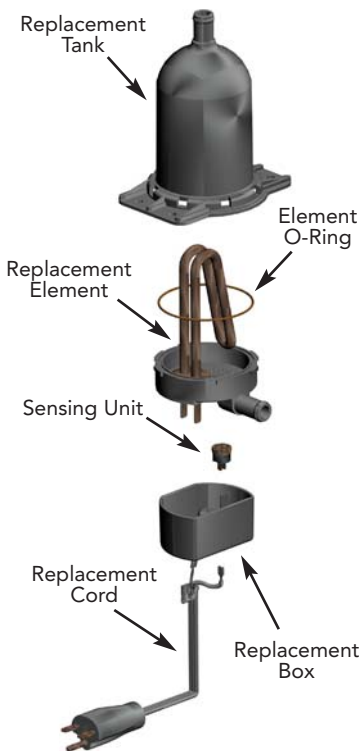
Power cord length on all models — 48" (1219mm)

TPS engine preheaters include a fixed setting thermostat. A single or double digit numeral at the end of the model number prefix designates the temperature range. **Example:** TPS101GT10-000 (see chart in left column)

-013 Engine preheater features 2 meter round cord and Shucko plug - CE compliant

Replacement Parts

For TPS Models



Model Number	Replacement Parts					
	Sensing Unit	Element	Tank	Box	Power Cord	Element O-ring
TPS051GT8-000	LSU-8	REPS051T8	TPS-T	CPS-1	11P48UU	TPS-BOR
TPS051GT10-000	LSU-10	REPS051T10	TPS-T	CPS-1	11P48UU	TPS-BOR
TPS051GT12-000	LSU-12	REPS051T12	TPS-T	CPS-1	11P48UU	TPS-BOR
TPS052GT8-000	LSU-8	REPS052T8	TPS-T	CPS-1	21P48UU	TPS-BOR
TPS052GT10-000	LSU-10	REPS052T10	TPS-T	CPS-1	21P48UU	TPS-BOR
TPS052GT10-013	LSU-10	REPS052T10	TPS-T	CPS-2	21SCH81UU	TPS-BOR
TPS052GT12-000	LSU-12	REPS052T12	TPS-T	CPS-1	21P48UU	TPS-BOR
TPS057GT10-000	LSU-10	REPS057T10	TPS-T	CPS-1	16H48UU	TPS-BOR
TPS101GT8-000	LSU-8	REPS101T8	TPS-T	CPS-1	11P48UU	TPS-BOR
TPS101GT10-000	LSU-10	REPS101T10	TPS-T	CPS-1	11P48UU	TPS-BOR
TPS101GT12-000	LSU-12	REPS101T12	TPS-T	CPS-1	11P48UU	TPS-BOR
TPS102GT8-000	LSU-8	REPS102T8	TPS-T	CPS-1	21P48UU	TPS-BOR
TPS102GT10-000	LSU-10	REPS102T10	TPS-T	CPS-1	21P48UU	TPS-BOR
TPS102GT10-013	LSU-10	REPS102T10	TPS-T	CPS-2	21SCH81UU	TPS-BOR
TPS102GT12-000	LSU-12	REPS102T12	TPS-T	CPS-1	21P48UU	TPS-BOR
TPS107GT10-000	LSU-10	REPS107T10	TPS-T	CPS-1	16H48UU	TPS-BOR
TPS151GT8-000	LSU-8	REPS151T8	TPS-T	CPS-1	11P48UU	TPS-BOR
TPS151GT10-000	LSU-10	REPS151T10	TPS-T	CPS-1	11P48UU	TPS-BOR
TPS151GT12-000	LSU-12	REPS151T12	TPS-T	CPS-1	11P48UU	TPS-BOR
TPS152GT8-000	LSU-8	REPS152T8	TPS-T	CPS-1	21P48UU	TPS-BOR
TPS152GT10-000	LSU-10	REPS152T10	TPS-T	CPS-1	21P48UU	TPS-BOR
TPS152GT10-013	LSU-10	REPS152T10	TPS-T	CPS-2	21SCH81UU	TPS-BOR
TPS152GT12-000	LSU-12	REPS152T12	TPS-T	CPS-1	21P48UU	TPS-BOR
TPS157GT10-000	LSU-10	REPS157T10	TPS-T	CPS-1	16H48UU	TPS-BOR
TPS181GT8-000	LSU-8	REPS181T8	TPS-T	CPS-1	12P16H48UU	TPS-BOR
TPS181GT10-000	LSU-10	REPS181T10	TPS-T	CPS-1	12P16H48UU	TPS-BOR
TPS181GT12-000	LSU-12	REPS181T12	TPS-T	CPS-1	12P16H48UU	TPS-BOR
TPS202GT8-000	LSU-8	REPS202T8	TPS-T	CPS-1	21P48UU	TPS-BOR
TPS202GT10-000	LSU-10	REPS202T10	TPS-T	CPS-1	21P48UU	TPS-BOR
TPS202GT10-013	LSU-10	REPS202T10	TPS-T	CPS-2	21SCH81UU	TPS-BOR
TPS202GT12-000	LSU-12	REPS202T12	TPS-T	CPS-1	21P48UU	TPS-BOR
TPS207GT10-000	LSU-10	REPS207T10	TPS-T	CPS-1	16H48UU	TPS-BOR

Thermosiphon Engine Heaters

TPS Model w/in-line adjustable and remote thread-in fixed thermostat.

Single Phase



Remote Adjustable Thermostat Assembly

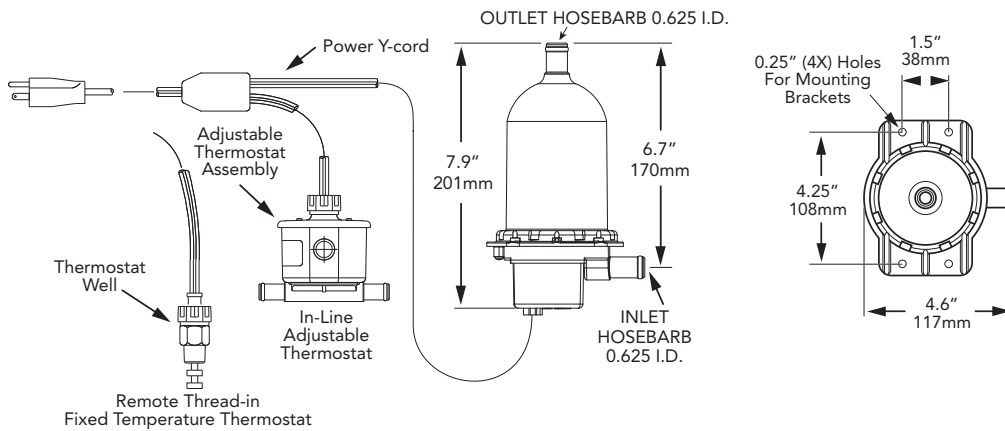
Part Number | TFTA-5/8HB

Engine Displacement	Model Number	Volts	Watts	Phase	Amps	Thermostat Range	
						On	Off
150cid 2.5L	TPS051GT12-001	120	500	1	4.2	100°F (38C)	120°F (49C)
	TPS051GT12-A00	120	500	1	4.2	ADJUSTABLE	
	TPS052GT12-001	240	500	1	2.1	100°F (38C)	120°F (49C)
	TPS052GT12-A00	240	500	1	2.1	ADJUSTABLE	
350cid 5.7L	TPS101GT12-001	120	1000	1	8.4	100°F (38C)	120°F (49C)
	TPS101GT12-A00	120	1000	1	8.4	ADJUSTABLE	
	TPS102GT12-001	240	1000	1	4.2	100°F (38C)	120°F (49C)
	TPS102GT12-A00	240	1000	1	4.2	ADJUSTABLE	
350 - 500cid 5.7 - 8.2L	TPS151GT12-001	120	1500	1	12.5	100°F (38C)	120°F (49C)
	TPS151GT12-A00	120	1500	1	12.5	ADJUSTABLE	
	TPS152GT12-001	240	1500	1	6.3	100°F (38C)	120°F (49C)
	TPS152GT12-A00	240	1500	1	6.3	ADJUSTABLE	
500 - 700cid 8.2 - 11.5L	TPS181GT12-001	120	1800	1	15	100°F (38C)	120°F (49C)
	TPS181GT12-A00	120	1800	1	15	ADJUSTABLE	
	TPS202GT12-001	240	2000	1	8.3	100°F (38C)	120°F (49C)
	TPS202GT12-A00	240	2000	1	8.3	ADJUSTABLE	

-001 Remote thread-in fixed temperature thermostat

Adjustable 90-130°F (32-54°C)
On differential - 20°F (-7°C)

In-line thermostat options:



Model Number	Volts	Watts	Replacement Parts			
			Sensing Unit	Element	Power Y-cord	Thermostat Well
TPS051GT12-001	120	500	LSU-10	REPS051T12	TPS-YC1	TW2374-1
TPS051GT12-A00	120	500	RSU90-130	REPS051T12	#	#
TPS052GT12-001	240	500	LSU-10	REPS052T12	TPS-YC2	TW2374-1
TPS052GT12-A00	240	500	RSU90-130	REPS052T12	#	#
TPS101GT12-001	120	1000	LSU-10	REPS101T12	TPS-YC1	TW2374-1
TPS101GT12-A00	120	1000	RSU90-130	REPS101T12	#	#
TPS102GT12-001	240	1000	LSU-10	REPS102T12	TPS-YC2	TW2374-1
TPS102GT12-A00	240	1000	RSU90-130	REPS102T12	#	#
TPS151GT12-001	120	1500	LSU-10	REPS151T12	TPS-YC1	TW2374-1
TPS151GT12-A00	120	1500	RSU90-130	REPS151T12	#	#
TPS152GT12-001	240	1500	LSU-10	REPS152T12	TPS-YC2	TW2374-1
TPS152GT12-A00	240	1500	RSU90-130	REPS152T12	#	#
TPS181GT12-001	120	1800	LSU-10	REPS181T12	12P16H54S54X10UU	TW2374-1
TPS181GT12-A00	120	1800	RSU90-130	REPS181T12	#	#
TPS202GT12-001	240	2000	LSU-10	REPS202T12	TPS-YC2	TW2374-1
TPS202GT12-A00	240	2000	RSU90-130	REPS202T12	#	#

-001 Remote thread-in fixed temperature thermostat

Call Factory

Replacement Parts

For TPS Model w/in-line adjustable and remote thread-in fixed thermostat.

Single Phase

Common replacement parts for all TPS engine preheaters:

- Tank
- Box
- Element O-ring

See table on page 6